

VigiWATT

toscano

Single phase
Load
Shedding
Relay



Single phase Load Shedding Relay.

The load shedding relay limits the power consumption before tripping the main circuit-breaker.

To do this, non-priority circuits will be disconnected during peaks of power consumption.

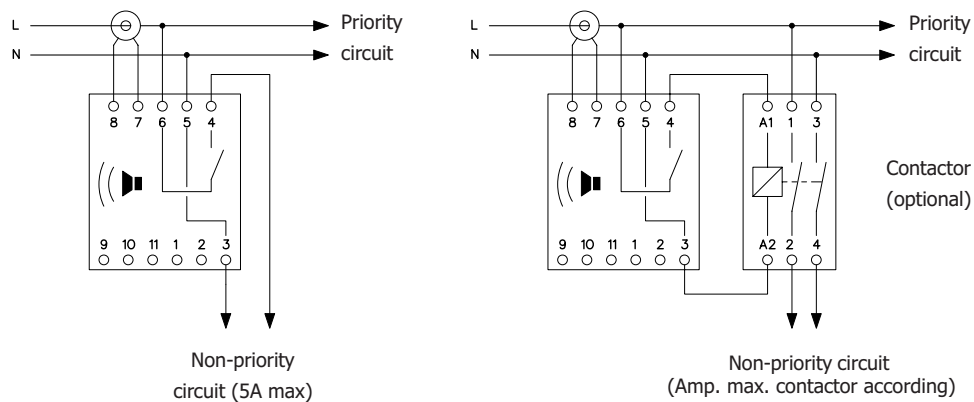
The total current of the installation is measured by a small toroidal transformer and shown on the display.

When it reaches the maximum current set, an internal buzzer alerts of over-consumption.

If measured current exceeds 10% of maximum current, the non-priority load is disconnected to keep consumption at admissible level.

The non-priority load is re-connected after a re-start time pre-adjusted.

Installation diagram



Technical specs

Supply voltage	230 Vac 50 Hz
Relay consumption	max. 2VA
Rated current adjustment (6 steps)	5A (1150W) 10A (2300W) 15A (3450W) 20A (4600W) 25A (5750W) 30A (6900W)
Internal contact for non-priority load	5A, 250V (1250W)
Measurement precision	0,1A (from 1 to 30A)
Re-connect time	1...30 minutes
Weight	200 g
Acoustic warning	Adjustable tone rate

