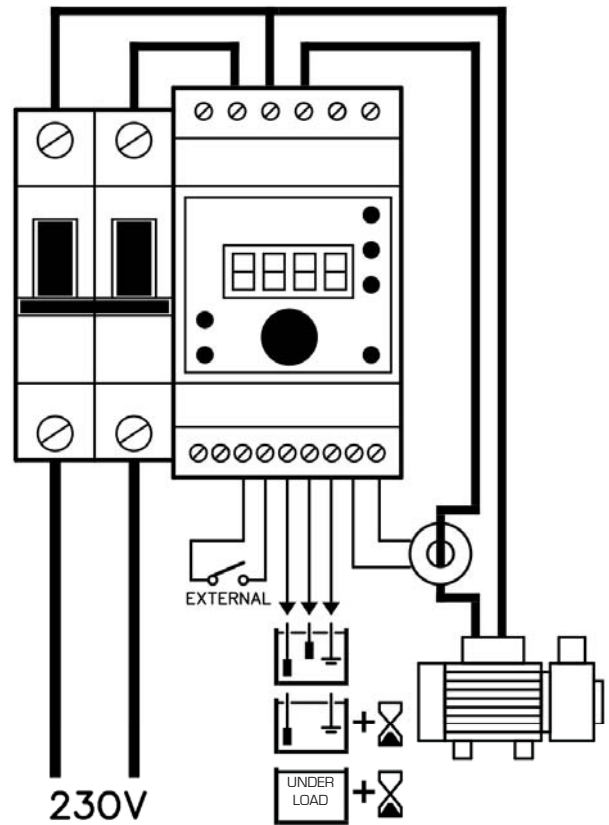
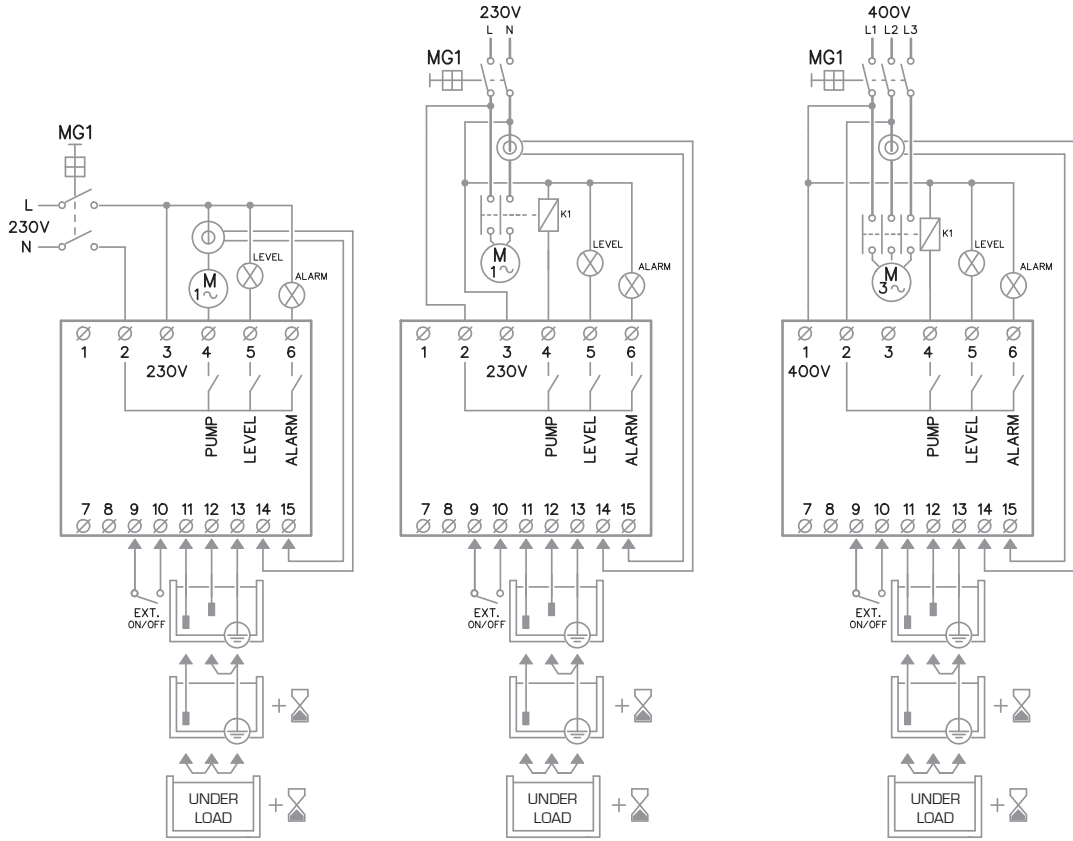


- |    |                            |    |               |
|----|----------------------------|----|---------------|
| A. | Power supply input.        | 1. | Low level.    |
| B. | Pump control output.       | 2. | Pump running. |
| C. | Low level output.          | 3. | Overload.     |
| D. | Main alarm output.         | 4. | Underload.    |
| E. | External control input.    | 5. | Restart time. |
| F. | Level control input.       | 6. | Main alarm.   |
| G. | Current transformer input. |    |               |

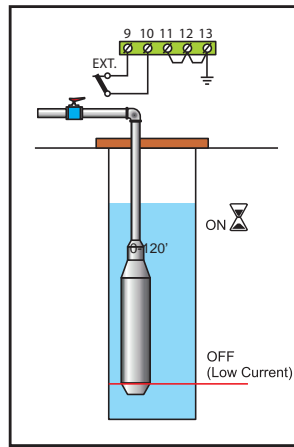
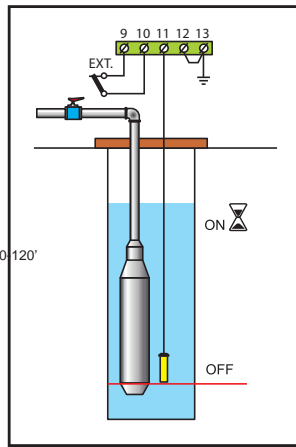
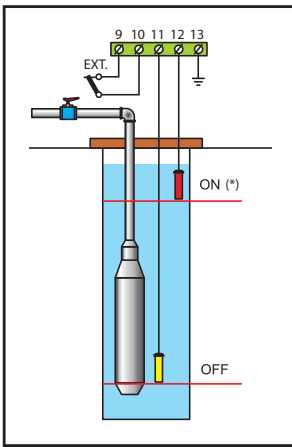


Single-phase basic diagram  
(three-phase pump by contactor)

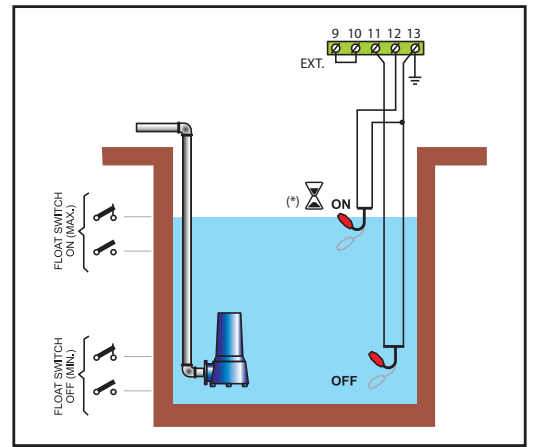
<b>Power supply</b>	230/400 V AC - 50/60 Hz
<b>Pilot lights (LED)</b>	Low level, Pump running, Overload, Underload, Restart time, Main alarm
<b>Motor protections</b>	Overload, Underload, Phase loss, Excessive startings frequency
<b>Displayed information (4-digit LED display)</b>	Pump consumption, Overcurrent, Undercurrent, Time delay, Alarms, etc
<b>Pump control output (PUMP)</b>	12 A in 1-phase (up to 40 A in 1/3-phase with a contactor)
<b>Low level output (LEVEL)</b>	230/400 V AC - 5 A maximum
<b>Main alarm output (ALARM)</b>	230/400 V AC - 5 A maximum
<b>Overload protection setting</b>	Auto - 0.6...40 A (trip in 7 s)
<b>Underload protection setting</b>	OFF - 0.5...40 A (trip in 4 s with 20 s starting delay)
<b>Restart time setting</b>	OFF - 3...240 minutes
<b>Maximum terminal cross-section</b>	4 mm <sup>2</sup> (power) / 2,5 mm <sup>2</sup> (control)
<b>Width / Weight / IP / Temperature</b>	3 modules (52,5 mm) / 210 g / IP20 / -10...+55 °C



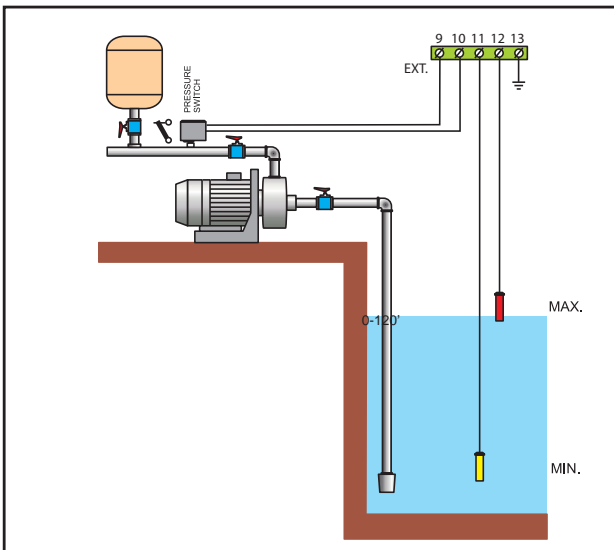
## WELLS



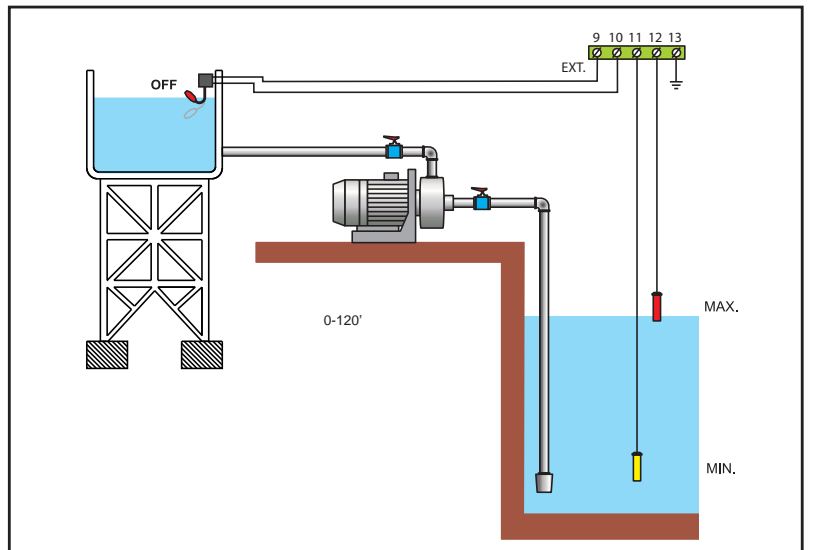
## LIFTING STATIONS



## BOOSTER SETS

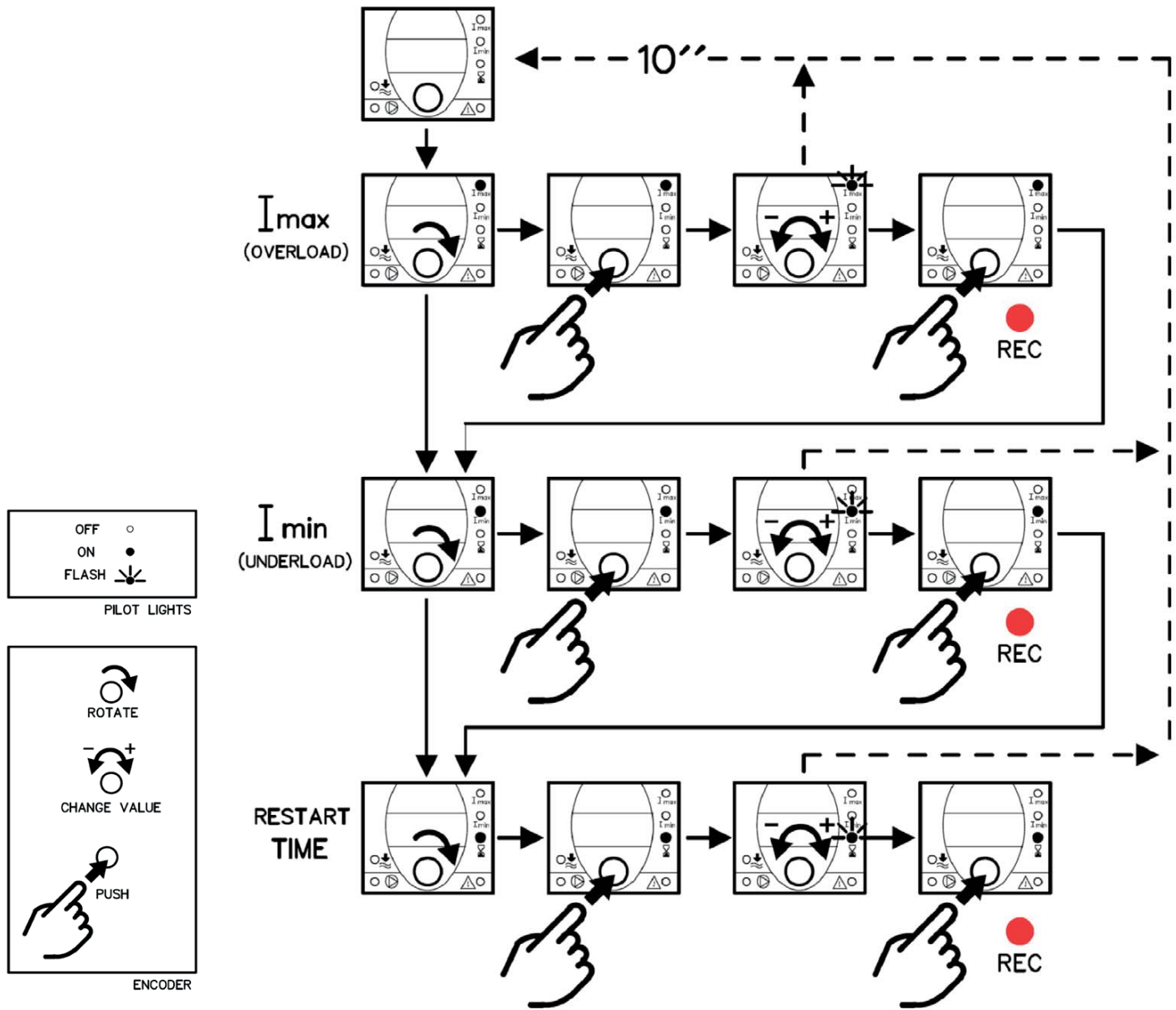


## WELLS & TANKS CONTROL

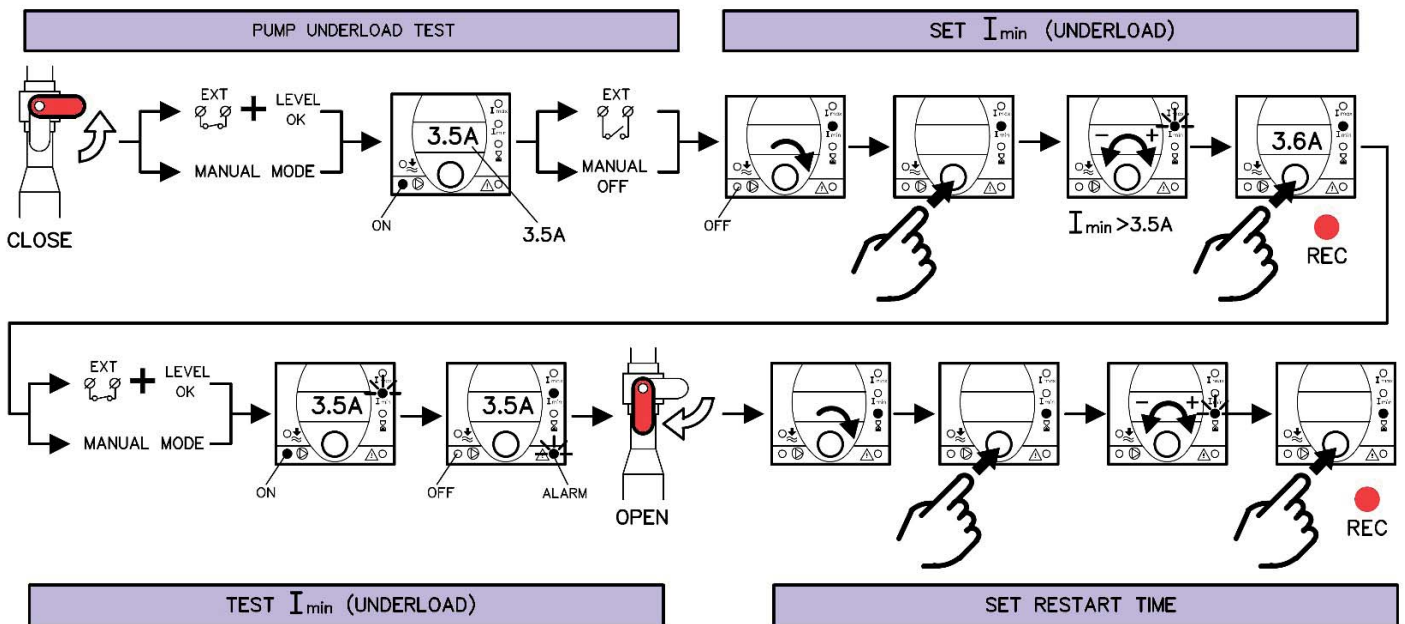


(\*) Set to "OFF" recommended / Se recomienda ajustar a "OFF" / Réglage à "OFF" recommandé

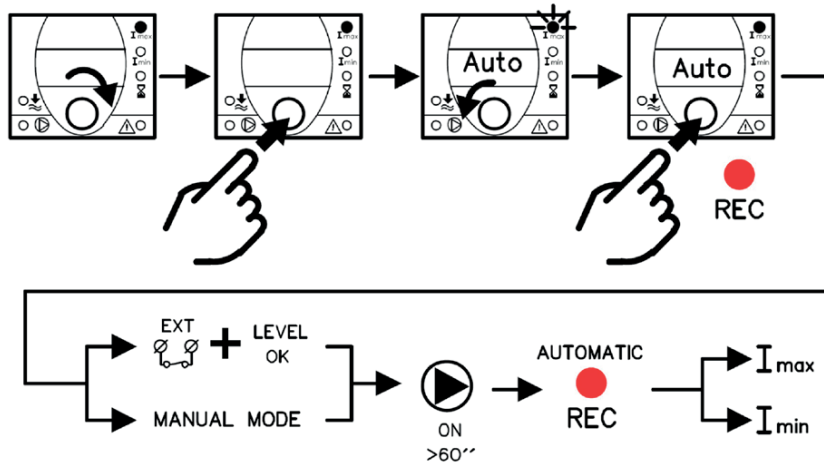
# setting menus



## underload protection setting for wells (without probes)

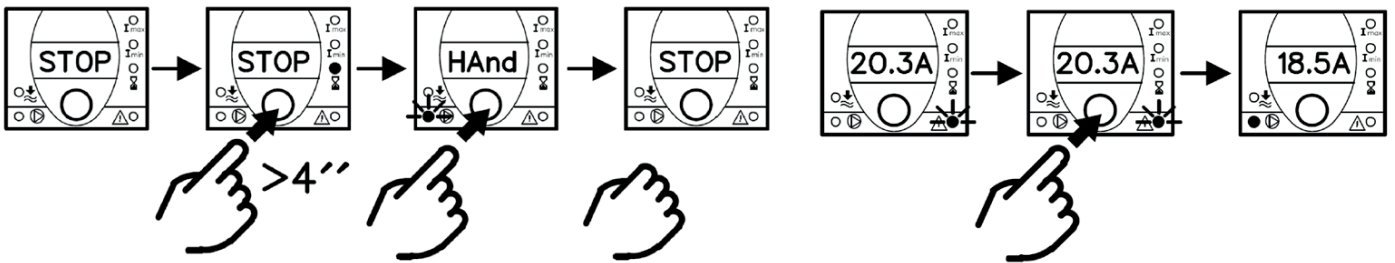


thermal protection auto-tune

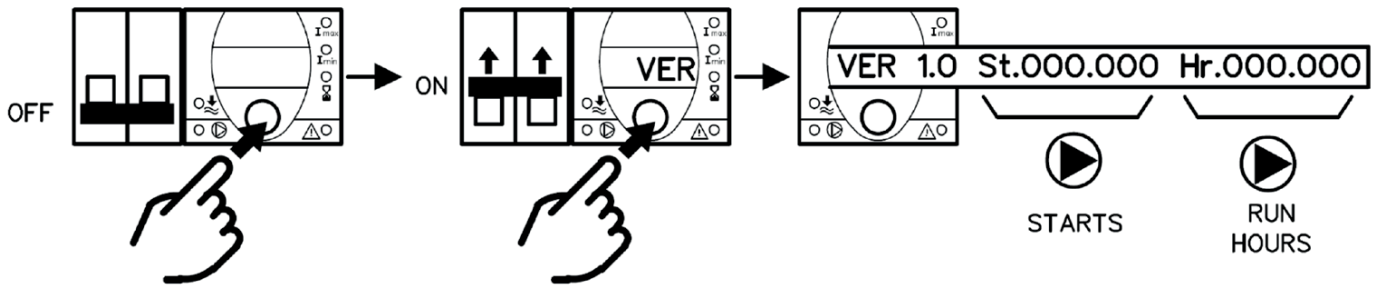


manual mode

reset



system status



excessive startings detection

dimensions

