

UA1

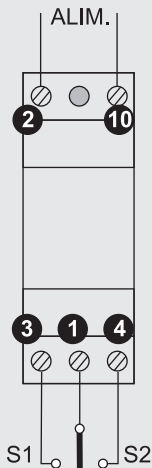
Alternating relay

Main features

- Modular DIN mount relay for two pumps (1 module, 18 mm width).
- Control through main voltage.
- Alternating contact relay by controlling the voltage input.
- State memory by voltage failure.
- The device contains two relays that activates alternatively each time the power supply is switched on .

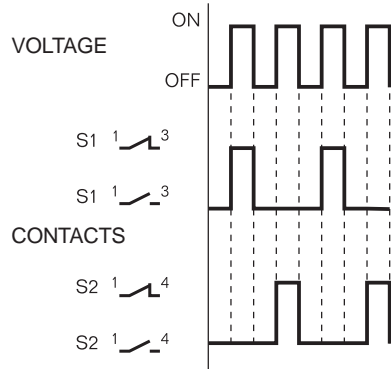


Electrical Wiring



The numbers in black circles correspond to the equivalence with the terminal blocks of our item TA1.

Working diagram

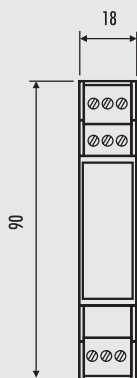


Warning

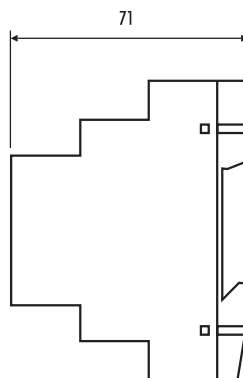
CHECK THE CONNECTION BEFORE STARTING THE EQUIPMENT. A WRONG WIRING CAN INVOLVE A DANGER OF ELECTROCUTION.

Size

MODULE



DIN RAIL



Technical specifications

Supply voltage	230 or 400 Vac (s/ pedido) 50 Hz
Power consumption	2 VA
Permissible voltage fluctuations	+10% -10%
Operating temperature range	-10° +60° C
Maximum cross-section area	2,5 mm ²
Breaking capacity	5 A - 250 Vac 5 A - 30 Vdc
Net weight	80 g
Mounting	DIN Rail 35