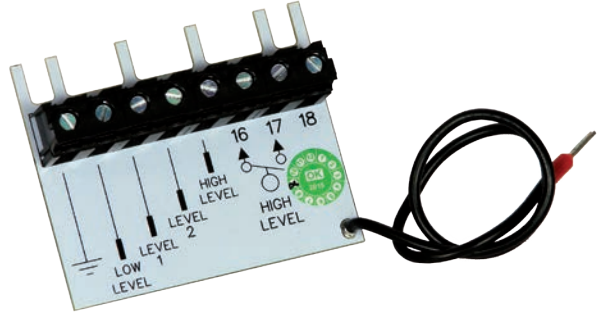


quick guide

conductive probes module for vigilec V2ZBS

overview

- Easy installation.
- Replace float switches with four probes into the tank.

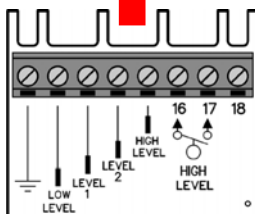
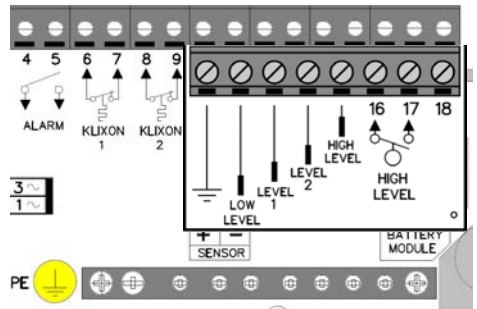
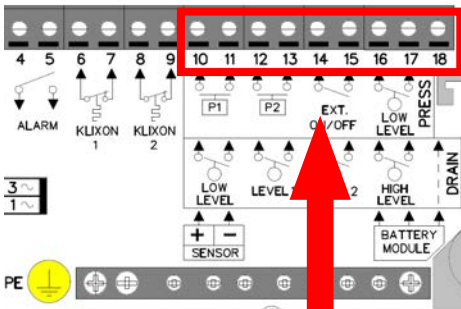


installation

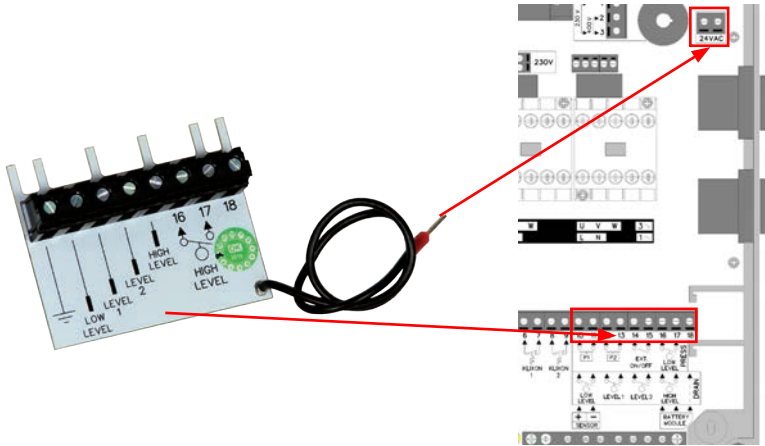
1. Select the OFF position on controller main switch.
2. Open the top cover of the controller.
3. Unplug the control module.



4. Insert the probes module terminals into the control terminal block (10 to 18).



- Then, connect the module wire to the rightmost terminal of the 24VAC terminal block, placed on the top right corner of the control panel.

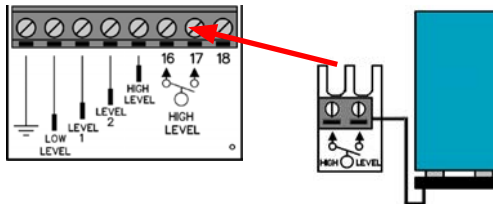


- Connect the probes to the module and put them into the tank.
- If the tank is made of isolating material (as plastic fiber, etc...), an extra probe must be put at its bottom and connected to the ground terminal.
- Plug the control module. The float switches mode must be selected on the left side dipswitch of the module.



- 1 = OFF
- 2 = OFF
- 3 = OFF

- You can install the battery module on terminals 16, 17 and 18 of the probes module.



- Replace the top cover.
- Switch on the controller.

technical specifications

Power supply	24VAC and 24VDC supplied by controller
Probes supply voltage	24VAC
Probes current	2.5mA
Probes sensitivity	47kohm maximum

