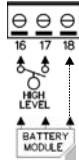


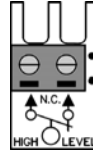
## overview

**Standard**  
Normally Open HIGH LEVEL  
float switch input



HIGH LEVEL alarm is active  
when contact is **CLOSED**

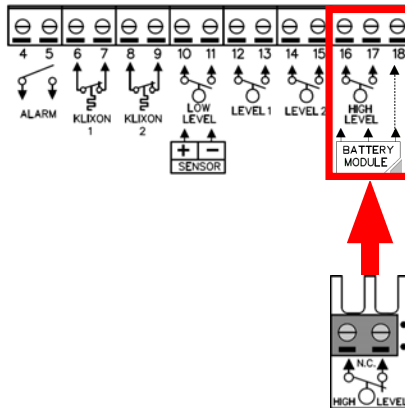
**N.C. module**  
Normally Closed HIGH LEVEL  
float switch input



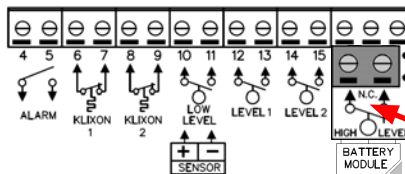
HIGH LEVEL alarm is active  
when contact is **OPEN**

## installation

1. Select the OFF position on controller main switch.
2. Open the top cover of the controller.
3. Disconnect the wires of HIGH LEVEL float switch (terminals 16-17).
4. Insert the N.C. module into the control terminal block (16 to 18).



5. Insert the float switch wires into the N.C. module terminal block.



6. Replace the top cover.
7. Switch on the controller.