

# VigiWATT

## Single-phase load shedding relay

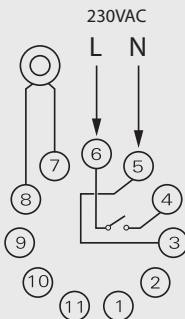
### Main features

- It displays the consumed current in real-time.
- It allows to preset a maximum current from which the output relay operates.
- Beep by internal buzzer if the current reaches the preset value.
- Adjustable buzzer tone.
- Modular plug-in into 11-pin socket.

### Operation

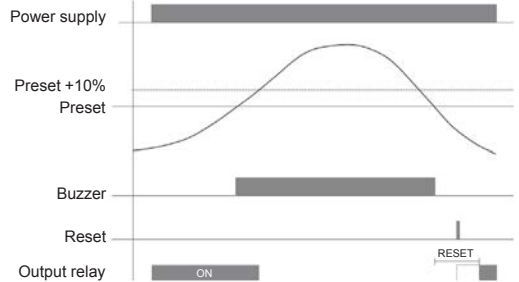
- The load shedding relay limits the power consumption before tripping the main circuit-breaker.
- To do this, non-priority circuits are disconnected during peaks of power consumption (over 10% of preset value).
- The total current of the installation is measured by a small external current transformer and shown on the 3-digit display.
- When it reaches the maximum current preset value, an internal buzzer alerts of over-consumption.
- The non-priority circuits are re-connected after a preset re-start time, only if current is under the maximum value.
- The reset button cancels the reset time count.

### Connection



**Warning**

CHECK THE CONNECTIONS BEFORE STARTING THE EQUIPMENT. A WRONG WIRING CAN INVOLVE DANGER OF ELECTROCUTION.

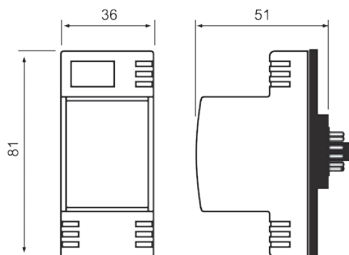


### Front layout

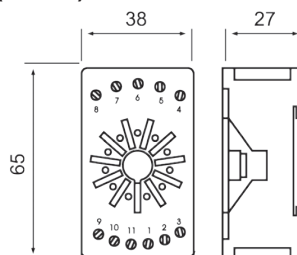


## Size

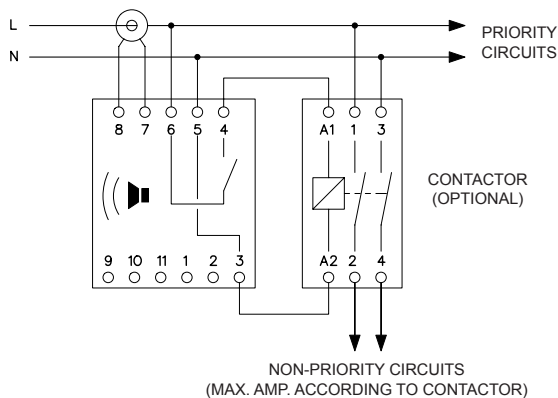
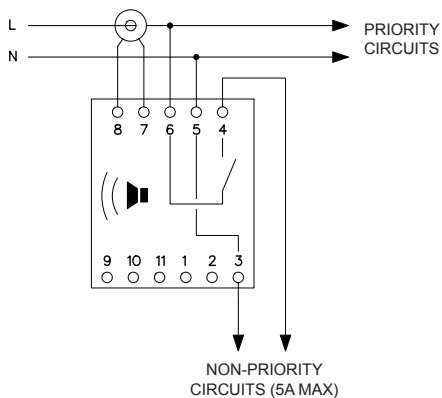
### Module



### Socket (DIN rail)



## Installation diagrams



## Technical features

Supply Voltage 230VAC / 50Hz

Power consumption 2 VA max.

Rated current setting  
 5A (1150W)  
 10A (2300W)  
 15A (3450W)  
 20A (4600W)  
 25A (5750W)  
 30A (6900W)

Internal contact for non-priority circuits 5A, 250V (1250W)

Measurement accuracy 0.1A (from 1A to 30A)

Re-start time 1...30 minutes

Weight 200g

Buzzer Adjustable tone setting